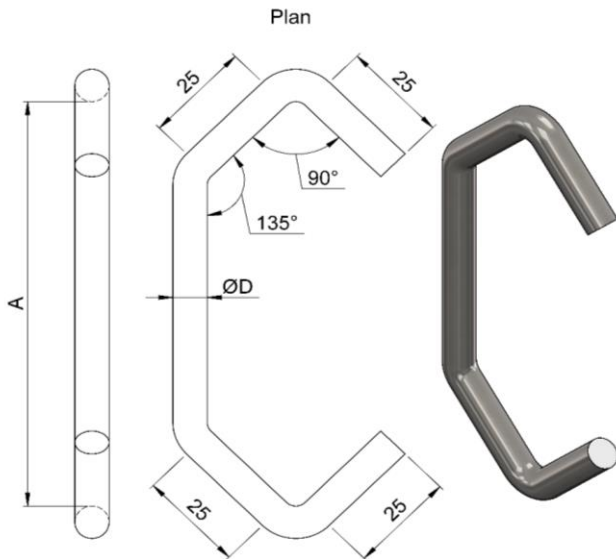
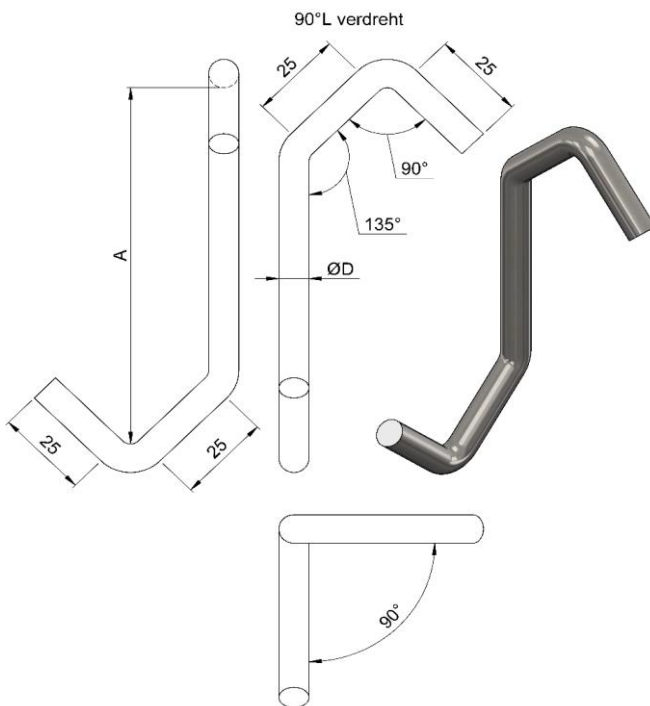


**Lackierhaken Standard Version 3.25 / Plan**  
**Lackierhaken Standard Version 3.25 / 90°L verdreht**  
Material: Ø 10.0 mm blanker Eisendraht



ØD = 10.0 mm

A mm	Artikelnummer	Stück / Karton	Stück / Palette
100	3.25/100100	150	4800
150	3.25/100150	100	3200
200	3.25/100200	100	3200
250	3.25/100250	100	3200
300	3.25/100300	100	3200
350	3.25/100350	100	2400
400	3.25/100400	75	1800
450	3.25/100450	75	1800
500	3.25/100500	75	1800
550	3.25/100550	75	1200
600	3.25/100600	50	800
700	3.25/100700	50	800
800	3.25/100800	50	800
900	3.25/100900	40	480
1000	3.25/1001000	40	480



ØD = 10.0 mm

A mm	Artikelnummer	Stück / Karton	Stück / Palette
100	3.25/100100/90L	150	4800
150	3.25/100150/90L	100	3200
200	3.25/100200/90L	100	3200
250	3.25/100250/90L	100	3200
300	3.25/100300/90L	100	3200
350	3.25/100350/90L	100	2400
400	3.25/100400/90L	75	1800
450	3.25/100450/90L	75	1800
500	3.25/100500/90L	75	1800
550	3.25/100550/90L	75	1200
600	3.25/100600/90L	50	800
700	3.25/100700/90L	50	800
800	3.25/100800/90L	50	800
900	3.25/100900/90L	40	480
1000	3.25/1001000/90L	40	480

Andere Längen und Formen auf Anfrage.